

INSTALLATION INSTRUCTIONS



For more information contact...

WOODFORD MANUFACTURING COMPANY, LLC.

2121 Waynoka Road, Colorado Springs, Colorado 80915 • Phone: (800) 621-6032

To view our complete product line visit: www.woodfordmfg.com or email: sales@woodfordmfg.com

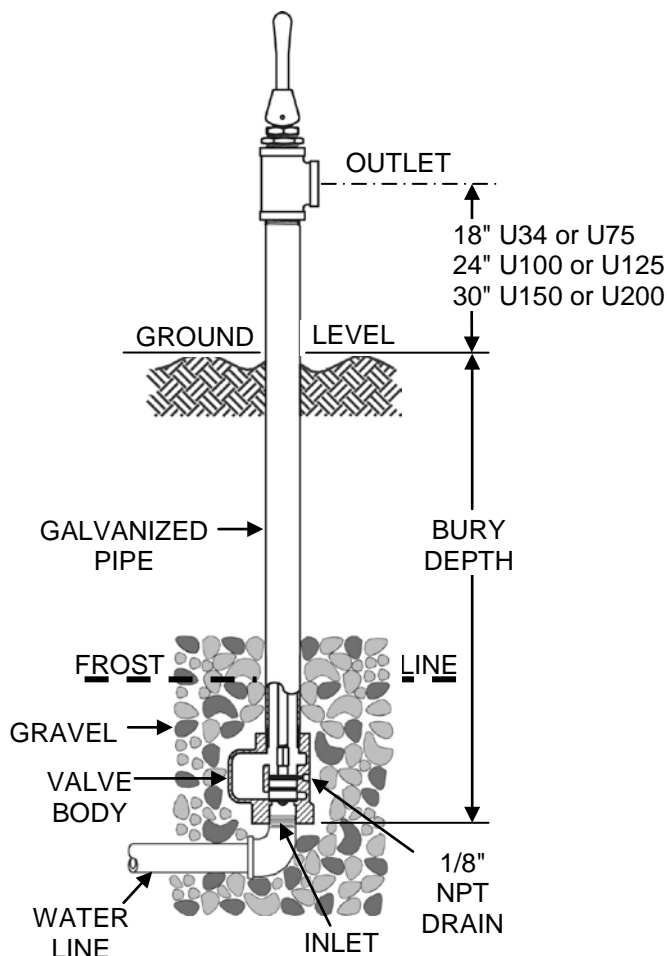
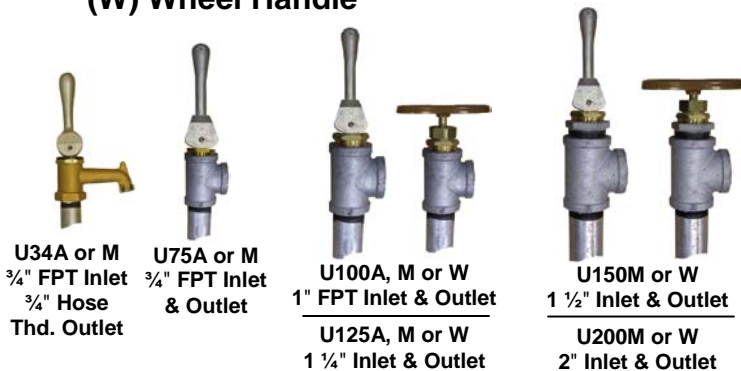
Rev 05/10 Form No. IIUtility.101

Utility Hydrants

(A) Automatic Handle

(M) Manual Handle

(W) Wheel Handle



These instructions do not apply to Sanitary Hydrants.

1. Dig hole for hydrant approximately 2 feet in diameter and deeper than the bury depth.
2. Flush gravel, debris, etc. out of the supply line before connecting hydrant.
3. Install hydrant with drain hole below frost line. Use wrenches on supply line fitting and brass valve body only. This avoids over tightening the hydrant assembly which could affect operation.
4. If supply line to the hydrant will not support hydrant, use re-bar, length of pipe or other suitable support driven in bottom of pit to help support hydrant. Before filling excavation, turn on water and check hydrant connection for leaks.
5. Provisions must be made to allow the water to drain from the hydrant drain hole each time the hydrant is closed.
 - a) Fill bottom of pit with 1/2" gravel to a minimum of 3" above brass drain valve body, to insure adequate drainage.
 - b) If the hydrant is installed inside a structure or concrete driveway, connect copper drain tubing to the 1/8" NPT drain hole and dig a remote drain field outside the structure for the drain pipe to empty into. Without this remote piping drain field, the water from the hydrant drainage may percolate up to the surface around or near the hydrant and will damage the floor surface or cause muddy areas around hydrant.
 - c) Saturated ground in the hydrant drain field can prevent the hydrant from fully draining and may result in freezing. If the area where the hydrant is located is low lying or has a tendency to have standing water, a larger drain field or pit may be required to provide the hydrant a place to drain.